

CUSTOMER NAME:

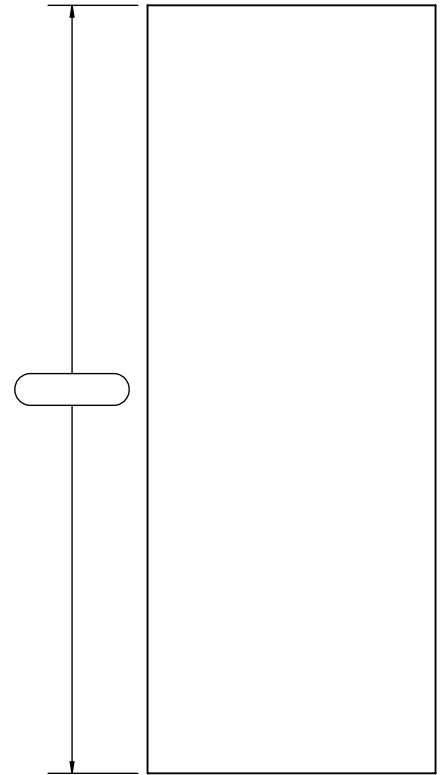
PHONE NUMBER:

DATE:

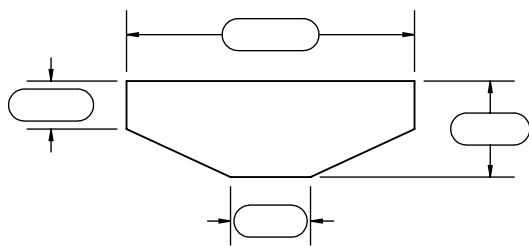
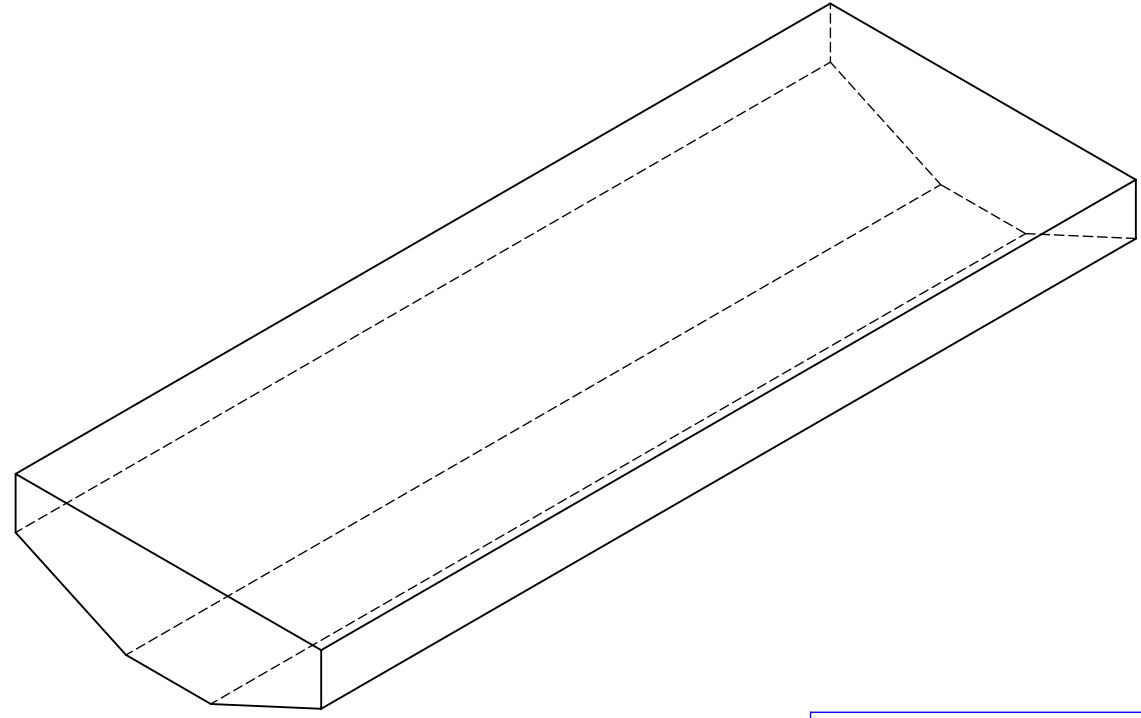
REVISIONS			
REV.	DESCRIPTION	DATE	APPV'D

EMAIL ADDRESS:

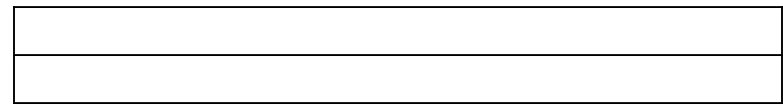
A  
B  
C  
D



TOP VIEW



END VIEW



SIDE VIEW

ADDITIONAL NOTES

**\*\* PLEASE NOTE OUR MAX LENGTH FOR FABRICATION IS 72"**

**\*\* PLEASE NOTE FWD AND AFT ON THE DRAWING.**

UNLESS OTHERWISE STATED  
ALL DIMENSIONS ARE IN  
INCHES  
TOLERANCES:  
FRACTIONAL: ± 1/16  
ANGULAR: ± 1°  
X ± .063  
XX ± .031  
XXX ± .015

BOYDWELDING LLC  
2811 NW 8TH PLACE  
OCALA, FL 34475



TITLE:

**PROPRIETARY AND CONFIDENTIAL**  
THE INFORMATION CONTAINED IN THIS DRAWING IS THE SOLE PROPERTY OF  
BOYD WELDING, LLC. ANY REPRODUCTION IN PART OR AS A WHOLE  
WITHOUT THE WRITTEN PERMISSION OF BOYD WELDING, LLC IS PROHIBITED.

DRAWN	DEB 3/19/2014	SIZE	DWG NO.	REV
CHK'D	DEB 3/19/2014	<b>A</b>	BELLY TANK	
ENG APPR.	DEB 3/19/2014	DO NOT SCALE DRAWING		