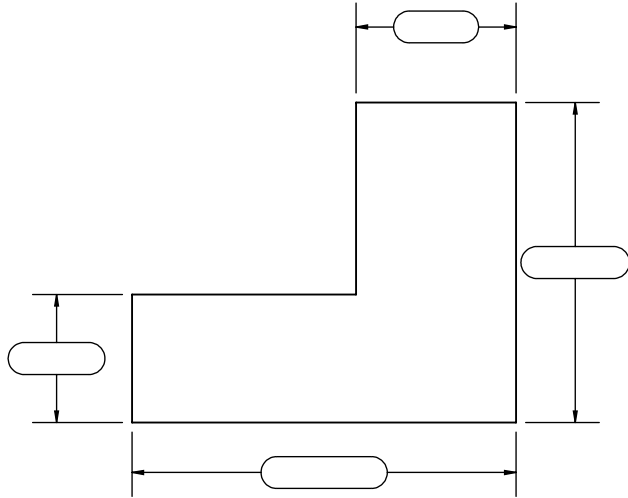
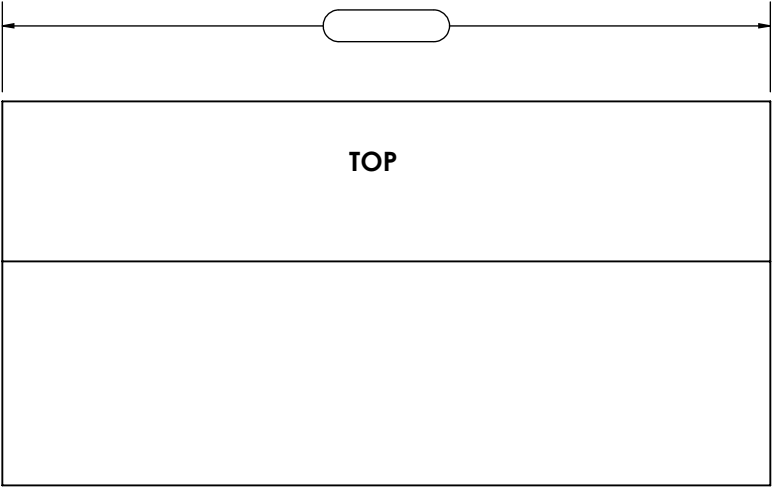
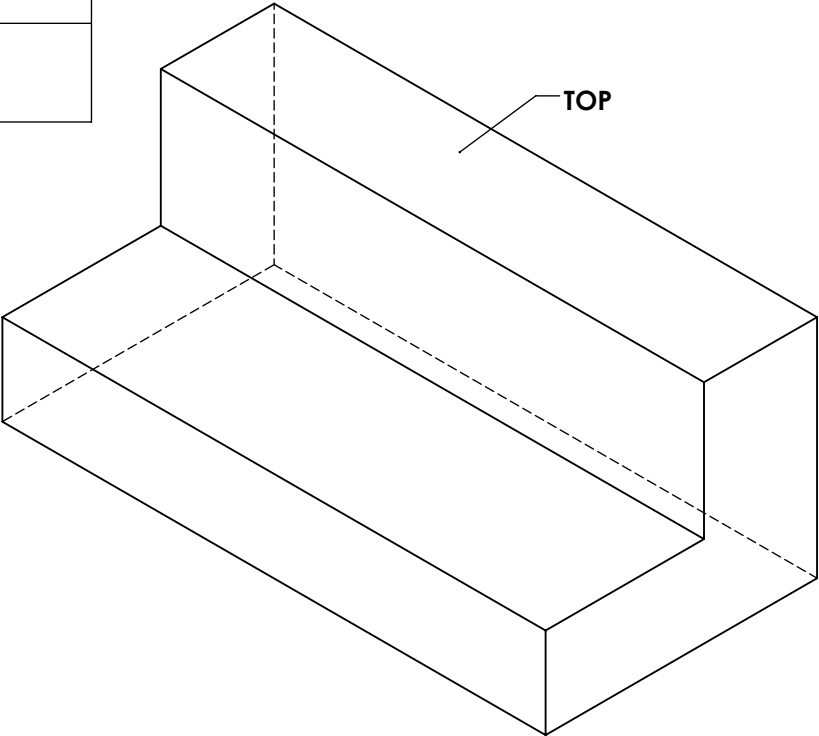


CUSTOMER NAME	PHONE NUMBER	DATE:
EMAIL ADDRESS:	SHIP TO ZIP CODE	

REVISIONS			
REV.	DESCRIPTION	DATE	APPV'D



ADDITIONAL NOTES

*** BE SURE TO MARK PASSENGER SIDE AND DRIVERSIDE**

UNLESS OTHERWISE STATED
ALL DIMENSIONS ARE IN
INCHES
TOLERANCES:
FRACTIONAL: ± 1/16
ANGULAR: ± 1°
X ± .063
XX ± .031
XXX ± .015

BOYDWELDING LLC
2811 NW 8TH PLACE
OCALA, FL 34475



TITLE:		DWG NO.	REV
DRAWN	DEB 2/22/2015	SIZE	
CHKD	DEB 2/22/2015	A	
ENG APPR.	DEB 2/22/2015		

PROPRIETARY AND CONFIDENTIAL
THE INFORMATION CONTAINED IN THIS DRAWING IS THE SOLE PROPERTY OF
BOYD WELDING, LLC. ANY REPRODUCTION IN PART OR AS A WHOLE
WITHOUT THE WRITTEN PERMISSION OF BOYD WELDING, LLC IS PROHIBITED.

DO NOT SCALE DRAWING	SCALE: 1:12	SHEET 1 OF 1
----------------------	-------------	--------------