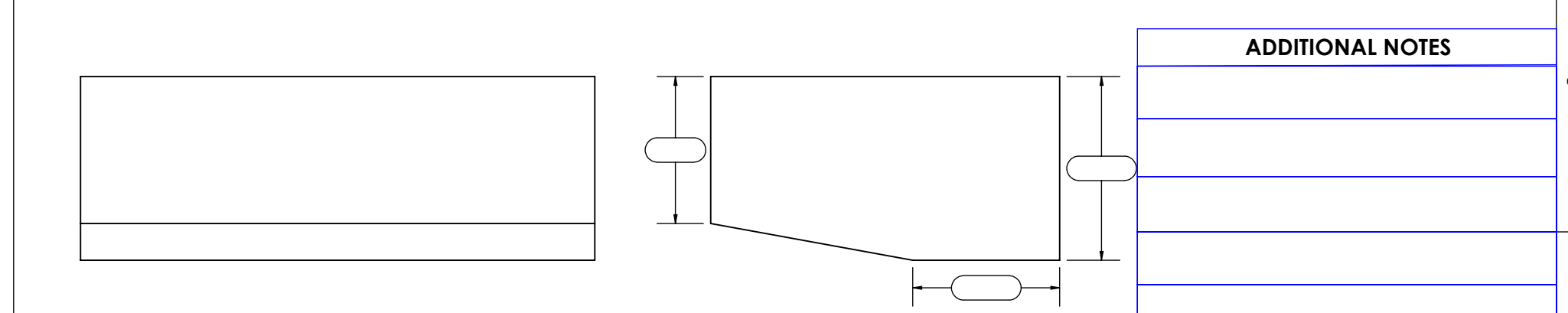
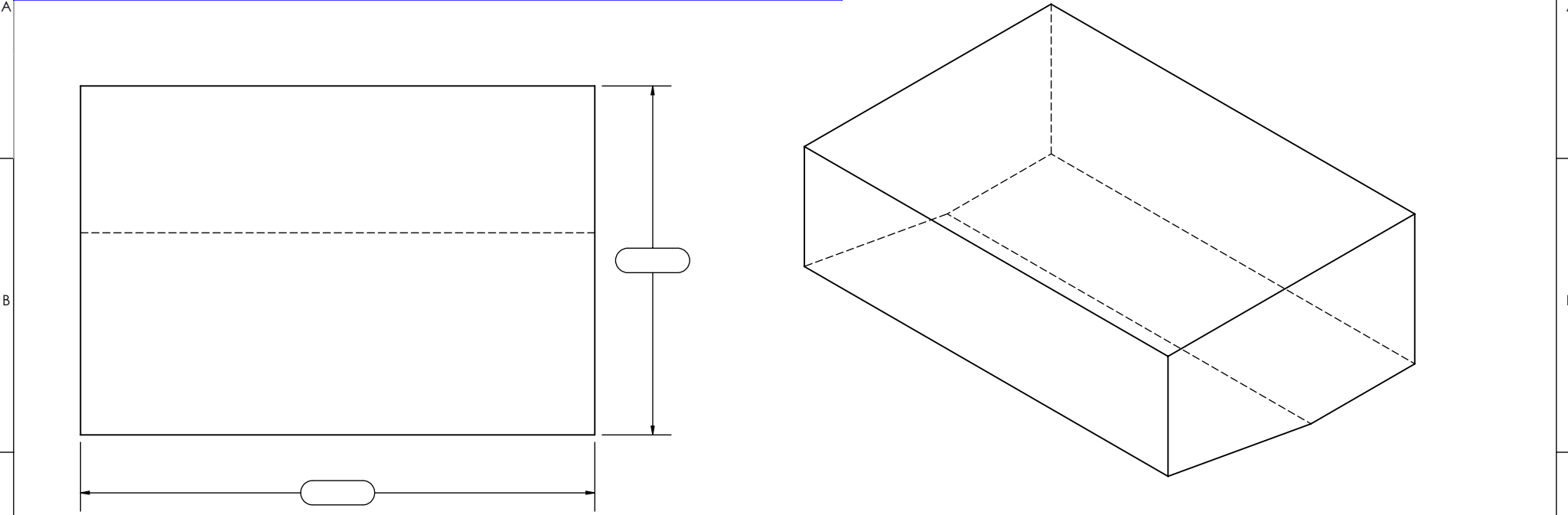


1 CUSTOMER NAME:	2 PHONE NUMBER:		3 DATE:	4 REVISIONS			
				REV.	DESCRIPTION	DATE	APPV'D
EMAIL ADDRESS:							



Side View

PLEASE NOTE DRIVER SIDE AND PASSENGER SIDE

ADDITIONAL NOTES	

UNLESS OTHERWISE STATED
ALL DIMENSIONS ARE IN
INCHES
TOLERANCES:
FRACTIONAL: ± 1/16
ANGULAR: ± 1°
X ± .063
XX ± .031
XXX ± .015

BOYDWELDING LLC
2811 NW 8TH PLACE
OCALA, FL 34475

(352-447-2405)



TITLE:			
DRAWN	DEB 3/7/2017	SIZE	DWG NO.
CHK'D	DEB 3/7/2017	A	Universal rear mount
ENG APPR.	DEB 3/7/2017	SCALE: 1:8	REV
DO NOT SCALE DRAWING			SHEET 1 OF 1

PROPRIETARY AND CONFIDENTIAL
THE INFORMATION CONTAINED IN THIS DRAWING IS THE SOLE PROPERTY OF
BOYD WELDING, LLC. ANY REPRODUCTION IN PART OR AS A WHOLE
WITHOUT THE WRITTEN PERMISSION OF BOYD WELDING, LLC IS PROHIBITED.